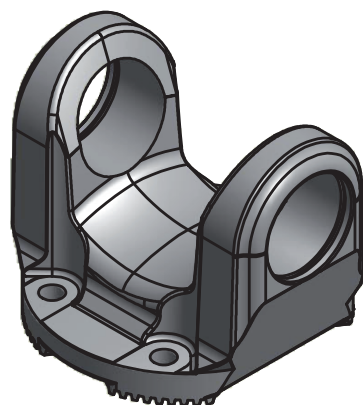
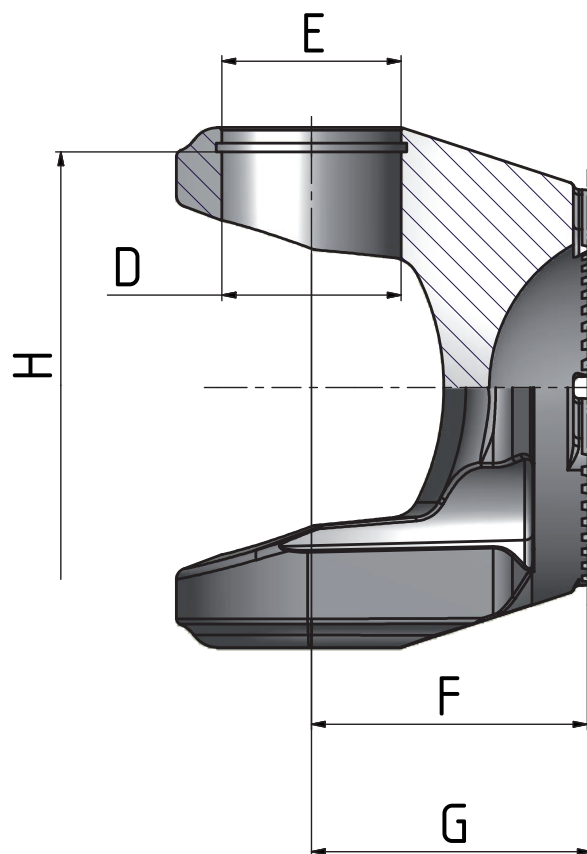
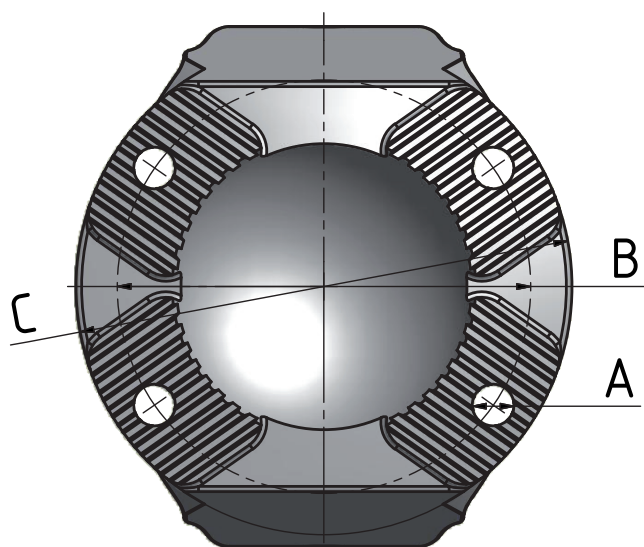




FLM-XS



- A = _____
- B = _____
- C = _____
- D = _____
- E = _____
- F = _____
- G = _____
- H = _____